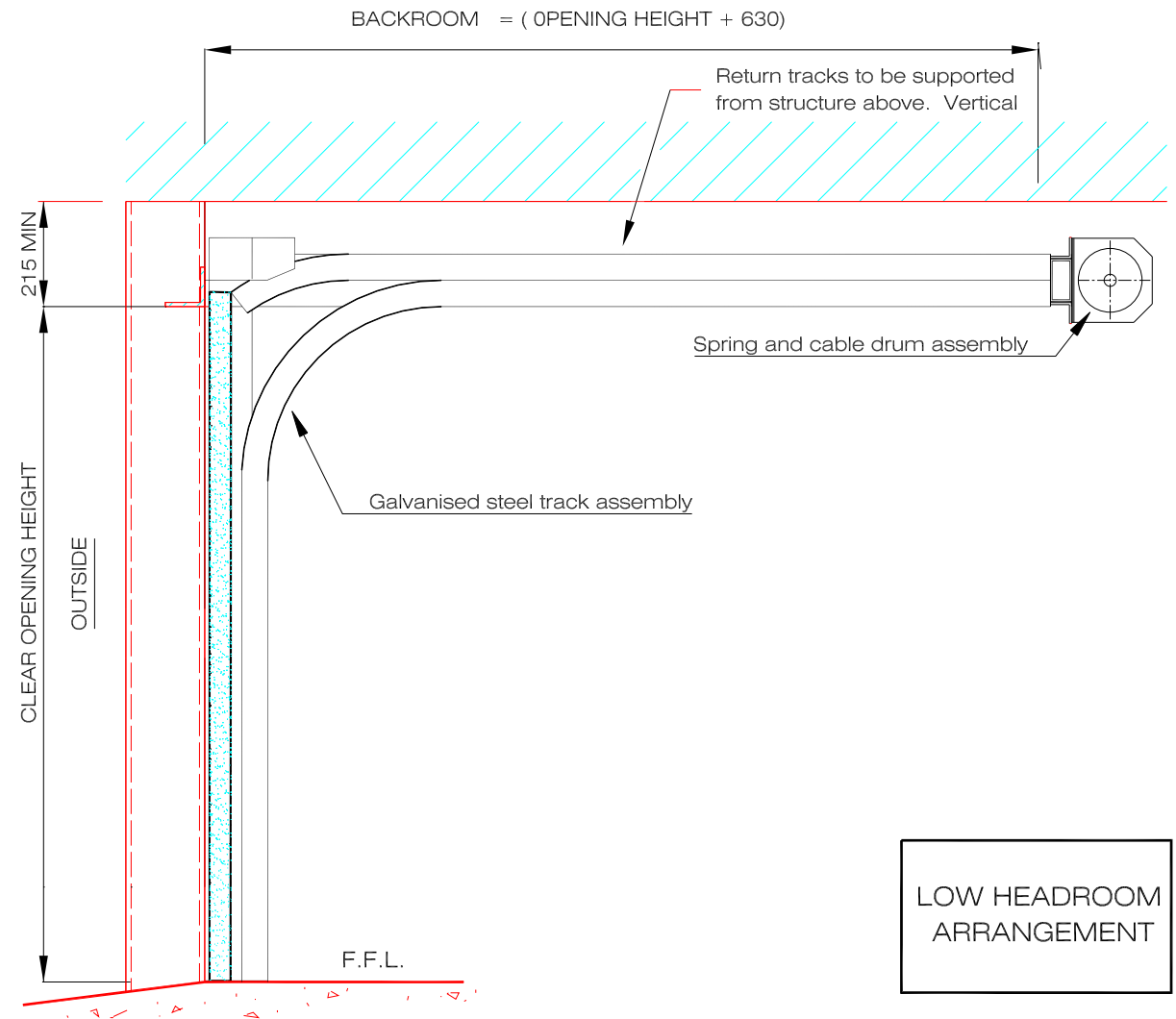
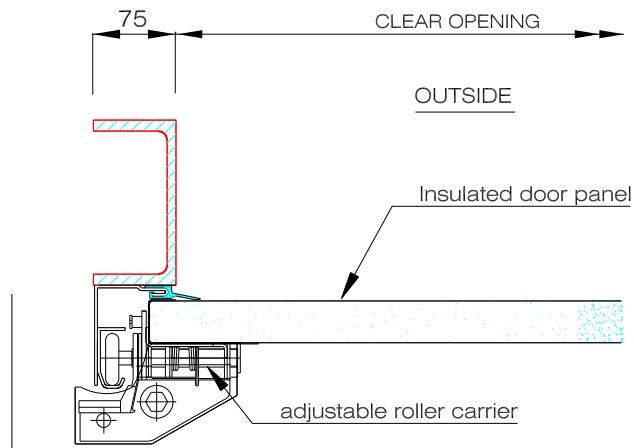


ELEVATION OF PREPARED
OPENING VIEWED FROM INSIDE



SECTION THROUGH OPENING

LOW HEADROOM
ARRANGEMENT



TYPICAL GUIDE FIXING TO STEEL JAMB

- DESIGN CRITERIA**
- 1) Maximum structural opening width 5000 mm
 - 2) Maximum structural height 3000mm
 - 3) Maximum door weight 300 kg
 - 4) All fixing faces to be flush, plumb and clear of projections.
 - 5) Design of the structural frame to be suitable to support the door and its fixings based on a design weight of 24 Kg / sq M.

THIS DRAWING MUST NOT BE SCALED.